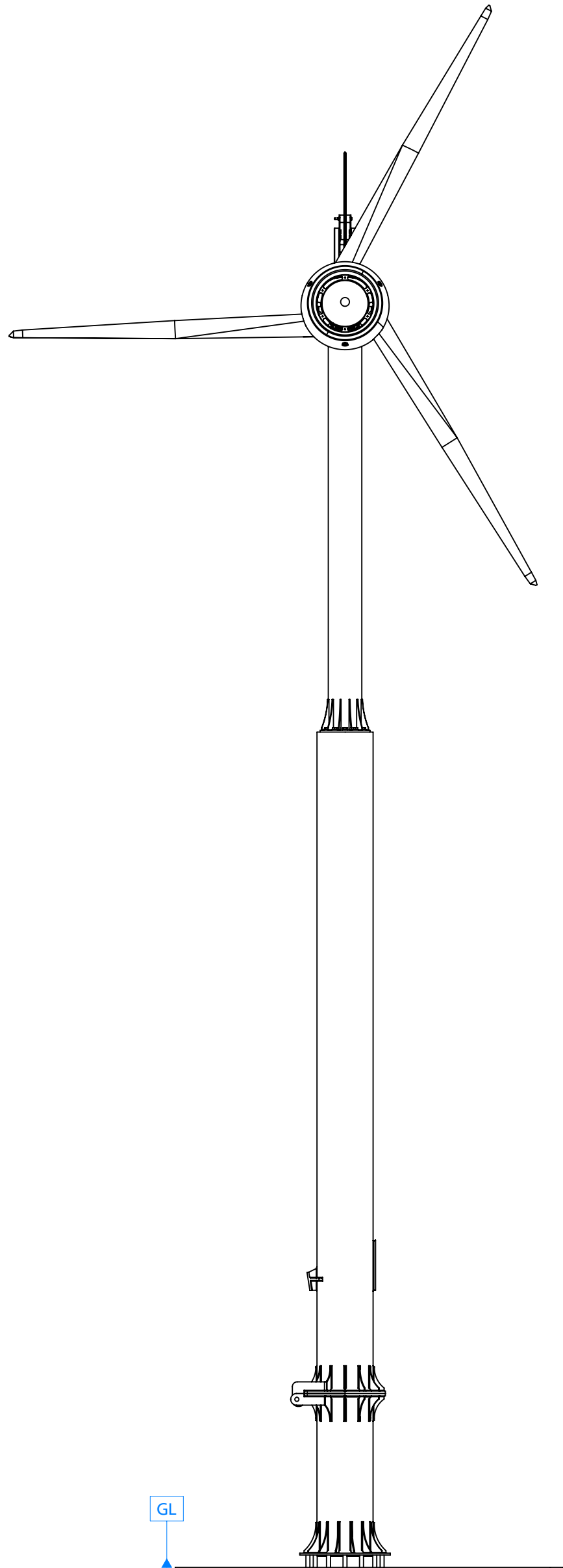
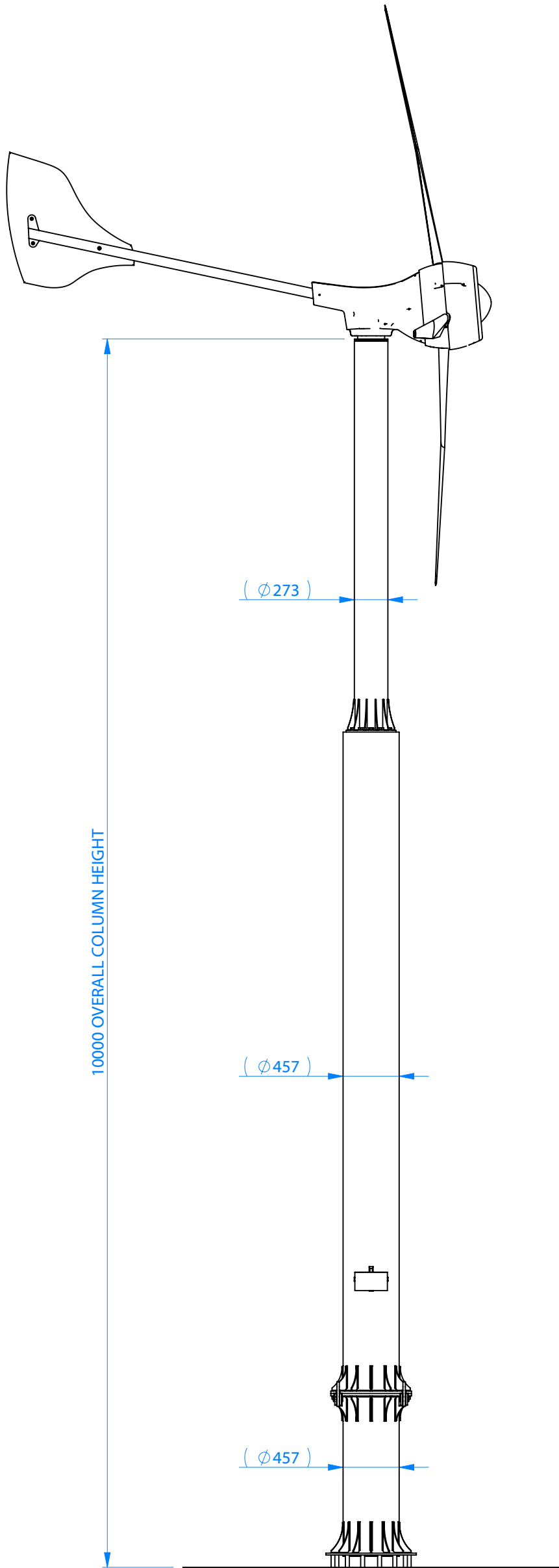


SITE REF.:



THIS DRAWING IS THE PROPERTY OF HUTCHINSON ENGINEERING LTD. IT MUST NOT BE COPIED OR LENT WITHOUT PRIOR CONSENT OF HUTCHINSON ENGINEERING LTD. DO NOT SCALE FROM THIS DRAWING. IF IN DOUBT ASK.

**NOTES :**

1. ALL DIMENSIONS ARE IN MILLIMETRES WITH LEVELS SHOWN IN METRES.
2. ALL DIMENSIONS NOT TOLERANCES TO BE WITHIN ±0.50mm.
3. STEELWORK TO BE TO BS 7668 OR BS EN 10113-1, GRADE S355, AND FABRICATED IN ACCORDANCE WITH BS 5950.
4. ALL BOLTS TO BE GRADE 8.8 SPUN GALVANISED TO BS 3692.
5. ALL STEELWORK TO BE PICKLED AND HOT DIP GALVANISED IN ACCORDANCE WITH BS EN ISO:1461.
6. REMOVE ALL BURRS AND SHARP EDGES.

**MATERIAL :**

SEE DETAILS

**FINISH :**

GALVANISED

**MASS (Kg.) :**



TEL. +44 (0)151 422 9990  
FAX. +44 (0)151 420 5100

www.hutchinsonengineering.co.uk



EVERITE ROAD,  
WIDNES,  
CHESHIRE,  
WA8 8PT

**CLIENT :** EVANCE

**PROJECT :** EVANCE 5kW / 10M WIND TURBINE STRUCTURE.

**TITLE :** GENERAL ARRANGEMENT DETAILS FOR 10M STRUCTURE TO SUIT AN EVANCE CLASS 2 WIND TURBINE. (HYDRAULIC OPERATION)

<b>DRAWN :</b> G.Q.	<b>APP'D :</b> I.J.B.	<b>CHK'D :</b> I.J.B.	<b>SCALE :</b> 1:40	<b>DATE :</b> 10/09/2009
------------------------	--------------------------	--------------------------	------------------------	-----------------------------

**DWG No.:**  
EVN\_5kW\_10M\_S\_001

REV.	DESCRIPTION	DRAWN	APP'D	DATE
A	FOR MANUFACTURE	G.Q.	I.J.B.	29/10/2009

**A3**

REVISION

**A**